



VULCAN™
IR-V





VULCAN™ IR-V

The **VULCAN IR-V BRAVO** and **VULCAN IR-V DELTA** are the most compact and powerful class 3r lasers available. These devices are small and lightweight with fully adjustable windage and elevation making them the perfect companion to any night vision system.

VULCAN IR-V BRAVO features a 3 degree VCSEL Illuminator that provides a tight focused illumination beam out to four hundred yards. This powerful Illuminator is coaligned with a class 3r infrared targeting laser providing a compact infrared targeting and illumination system. Slide the CQB Filter™ in place, and the VCSEL illuminator becomes a wide field view, IR flood light, perfect for various applications up to 200m.

VULCAN IR-V DELTA is a compact multiple spectrum aiming device that combines visible and infrared aiming lasers. Its infrared laser is visible with NVDs upto 1000 yards at night, and the visible green laser has a range of approximately 100 yards during the day and over 500 yards at night. The two lasers are coaligned allowing the operator to zero or correct the impact point of both lasers simultaneously using the windage/elevation dials.

Both the **VULCAN IR-V BRAVO** and **VULCAN IR-V DELTA** are sold as a complete light assembly, or as a modular head unit only, allowing the user to combine it with many popular bodies and tailcaps from Surefire , Arisaka Defense , Malkof Devices, and others.



VULCAN™ IR-V



VCSEL power in a compact package



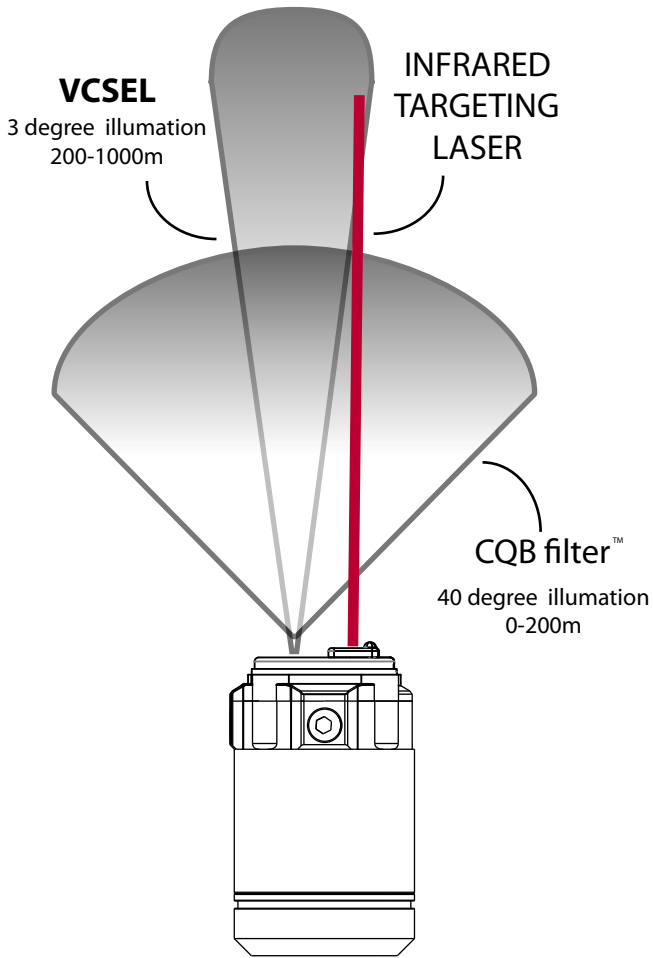
Compatible with Modlite bodies
and the Modlite PL350



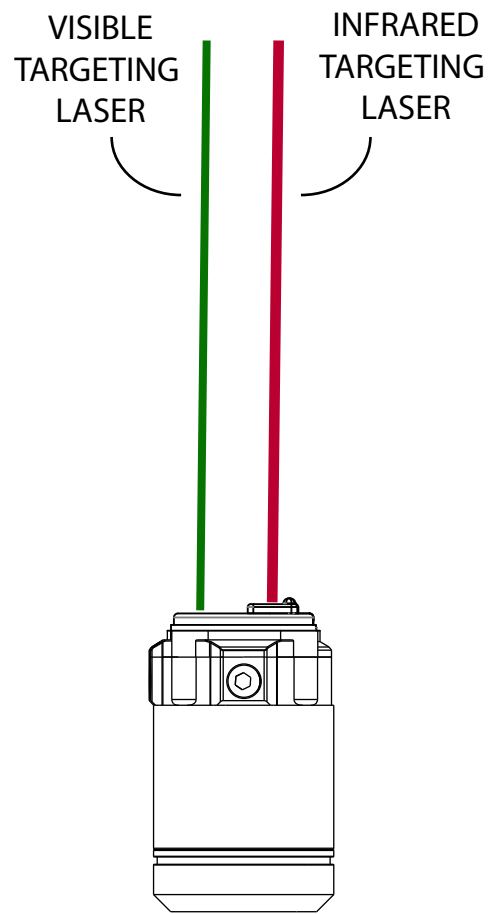
Patent Pending



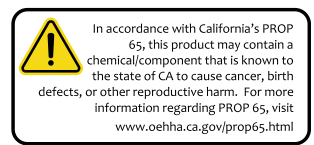
Patent Pending



VULCAN IR-V BRAVO



VULCAN IR-V DELTA

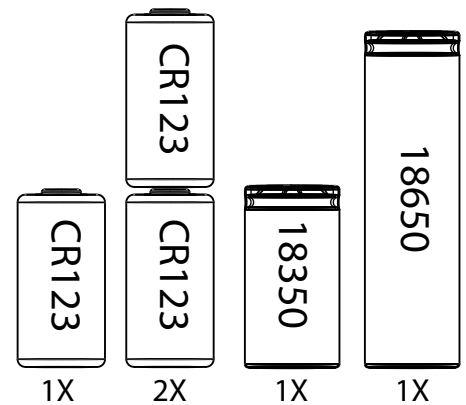




Patent Pending

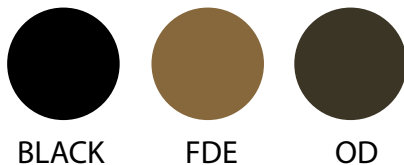
Description

VULCAN IR-V BRAVO	VULCAN IR-V DELTA
TECHNICAL SPECIFICATIONS	TECHNICAL SPECIFICATIONS
LASER TYPE: CLASS 3R POWER OUTPUT: IR Laser: < 1.7mW Illum: < 130mW	LASER TYPE: CLASS 3R POWER OUTPUT: Vis Grn: < 5.0mw IR Laser: < 1.7mW
WAVELENGTH: IR Laser: 830nm (±5.0nm) Illum: VCSEL 830nm (±5.0nm)	WAVELENGTH: Vis Grn: 520nm (±5.0nm) IR Laser: 830nm (±5.0nm)
BEAM DIVERGENCE: IR Laser: 0.8 mrad VCSEL Illum 3degree 52.3 mrad	BEAM DIVERGENCE: Vis Grn: 0.8 mrad IR Laser: 0.8 mrad
BATTERY CR123A, 18350, 18650	BATTERY CR123A, 18350, 18650
BATTERY LIFE: 12 HRS CONTINUOUS WINDAGE & ELEVATION: 1/4 MOA @ 100 yds DIMENSIONS: 1.2in X 2.0 WEIGHT: 1.9 oz. (53.8 grams)	BATTERY LIFE: 6 HRS CONTINUOUS WINDAGE & ELEVATION: 1/4 MOA @ 100 yds DIMENSIONS: 1.2in X 2.0 WEIGHT: 1.9 oz. (53.8 grams)
ENVIRONMENTAL: MIL-810G Rain, Humidity, Sand and Dust, Immersion, Shock, Recoil, Temperature, Vibration, and Altitude.	ENVIRONMENTAL: MIL-810G Rain, Humidity, Sand and Dust, Immersion, Shock, Recoil, Temperature, Vibration, and Altitude.



Multiple power options

Available in:



BLACK

FDE

OD

